

Technical Data Sheet

Shower Systems

TAVISTOCK

| No. | Description | Code | Fixings Included |
|-----|---|---------|------------------|
| 1 | Axiom Single Function System with Shower Head | SAX2377 | YES |

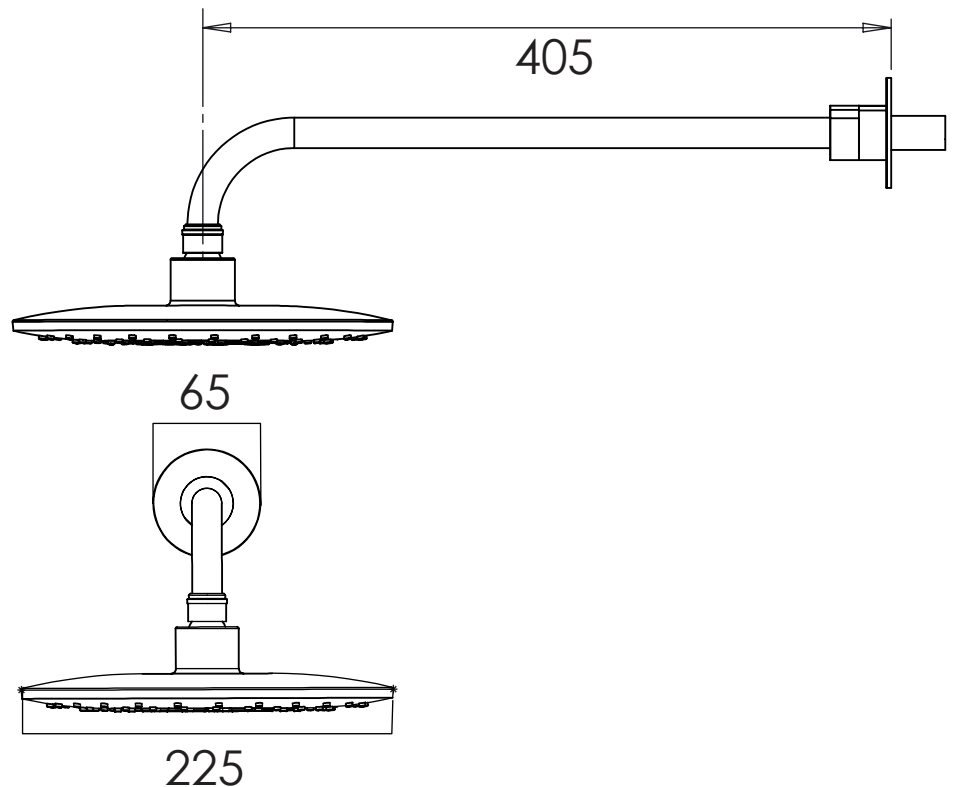
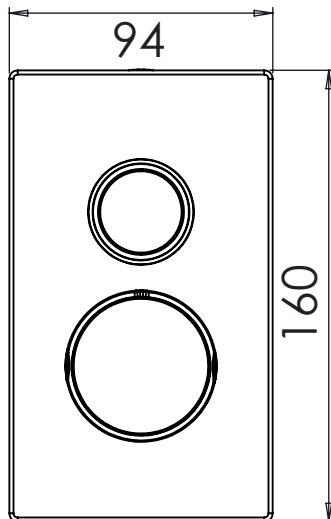


FLOW RATE DATA IS TESTED UNDER LABORATORY CONDITIONS: ACTUAL FLOW RATE MAY VARY DEPENDING ON DOMESTIC SUPPLY AND ACCESSORIES

| Inlet Pressure | Flow Rate (l/min) |
|----------------|-------------------|
| 0.5bar | 7.2 |
| 1bar | 10.6 |
| 2bar | 14.5 |
| 3bar | 17.6 |
| 4bar | 20.2 |
| 5bar | 22.1 |

Dimensions - Overview

Diagrams not to scale. All dimensions in mm (tolerance of +/-5mm)



FAQs

What is the minimum pressure for the valve? 1.0bar

What is the valve connection size? 1/2" suitable for 15mm pipework

Components

Thermostatic Single Function Push Button Brass Shower Valve - RR15

Single Function Chrome Plated Shower Valve Cover Plate - SVCOMP5

225mm Chrome Plated Shower Head - SVARM01

Round Adjustable Chrome Plated Shower Arm - TAVSHEAD1