

SHO059DN- Nero Douche Kit with Therm. Mixing Valve Matt Black

BAR CODE: 5055681444938

COLOUR: MATT BLACK

WEIGHT:

NET 1.7 kg

GROSS 1.98 kg

STANDARDS: BS EN 1111

NOTES:

SUITABLE FOR PRESSURES BETWEEN 0.2 - 5 BAR

HOT & COLD PRESSURES MUST BE BALANCED

SUITABLE FOR COMBI- BOILERS, UNVENTED MAINS

PRESSURE SYSTEMS AND GRAVITY FED SYSTEMS

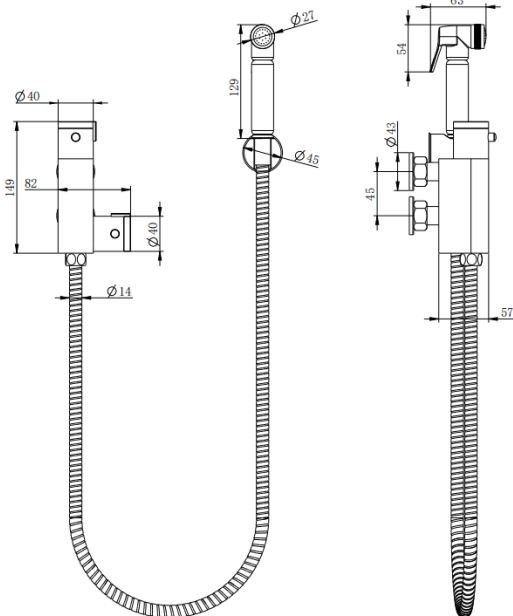
SUITABLE FOR SHOWER PUMPS

ANTI SCALD (THERMO STOP SET AT 38°C)

SINGLE FUNCTION HAND SET

Flow Rate:

0 . 2 bar	0 . 5 bar	1 bar	2 bar	3 bar	5 bar
7 L	9.1 L	13.6 L	19.6 L	24.4 L	30.9 L



BOX SIZE 260X177X145

IMAGE