

**SHO051DB- Round Douche Kit with Therm. Mixing Valve Brass Bodied**

**Spray Head Brushed Brass**



BAR CODE: 5055681449544

COLOUR: BRUSHED BRASS

**WEIGHT:**

NET 1.7 kg

GROSS 1.98 kg

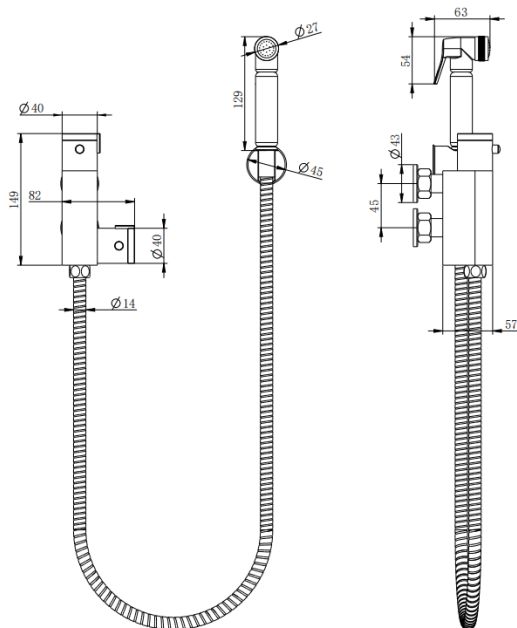
STANDARDS: BS EN 1111

**NOTES:**

- SUITABLE FOR PRESSURES BETWEEN 0.2 - 5 BAR
- HOT & COLD PRESSURES MUST BE BALANCED
- SUITABLE FOR COMBI- BOILERS, UNVENTED MAINS PRESSURE SYSTEMS AND GRAVITY FED SYSTEMS
- SUITABLE FOR SHOWER PUMPS
- ANTI SCALD (THERMO STOP SET AT 38°C)
- SINGLE FUNCTION HAND SET

**Flow Rate:**

0 . 2 bar	0 . 5 bar	1 bar	2 bar	3 bar	5 bar
7 L	9.1 L	13.6 L	19.6 L	24.4 L	30.9 L



BOX SIZE 260X177X145

IMAGE