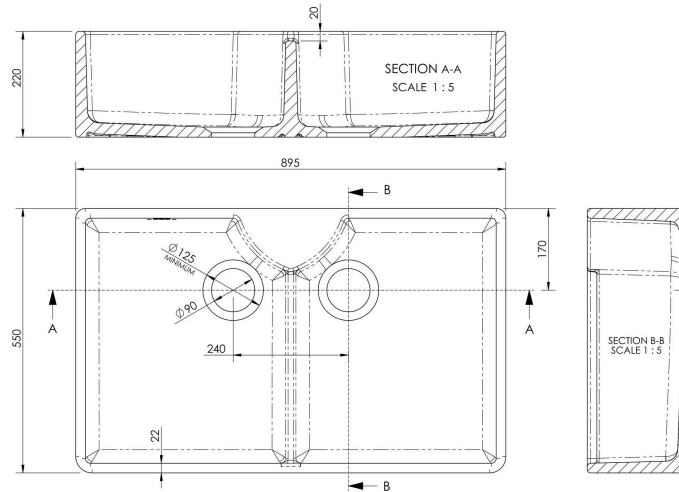
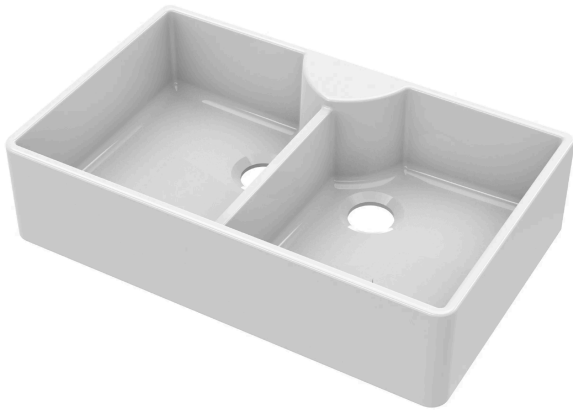


Sales Code: BU120AS36D

Barcode: 5055275830888

Brand: nuie

Description: Nuie Double Bowl 895 x 550 x 220mm Fireclay White Butler Sink With Stepped Weir



Product Dimensions

Product	220 x 895 x 550mm (H x W x D)
Packaged	25 x 92 x 56mm (H x W x D)
Nett Weight	52.5 kg
Packaged Weight	53 kg

Product Details

Country of Origin	United Arab Emirates
Product Material	Fireclay
Colour/Finish	White
Style	Traditional
Inner Bowl Depth	506 mm
Inner Bowl Height	198 mm
Inner Bowl Width	829 mm
No. Of Tapholes	No Tapholes
Number Of Bowls	2
Overflow Included	No
Sink Thickness	22 mm
Tap Included	No
Waste Included	No
Waste Size Required	90mm