



4-1 SWAN Boiling Water Tap

- + Filtered Boiling Water
- + Filtered Cold Water
- + Hot & Cold Mixer

TAP FEATURES

- + Cool touch body
- + Heat Insulation
- + Triflow design – no water contamination
- + Child safety lock - auto shut off handle
- + 220 degree spout swivel
- + Fits standard 35mm tap hole
- + Independent tube for boiling water delivery. No cross contamination. Domestic water can be run immediately after.
- + Great heat preservation performance
- + Extra long tap hoses for easier installation - 700mm
- + WRAS approved

TECHNICAL DATA

- + Min pressure: 1 Bar
- + Max pressure: 3 Bar*
- + *Note: the 4 in 1 instant hot water tap may safely be run from a higher pressure cold water supply provided a suitable pressure reducing valve is fitted to the cold water supply pipe.

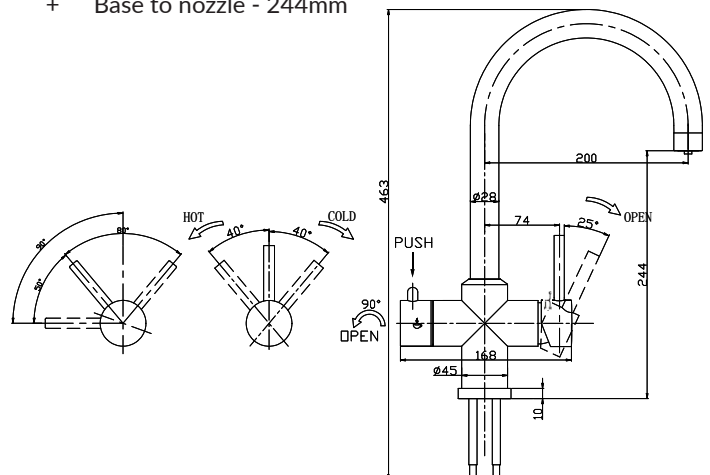
FLOW RATES

At 1 Bar:
 Key: L = Litre, Min = Minute
 Cold Water : 5.20L/Min
 Hot Water : 5.01L/Min
 Mix Water : 6.49L/Min
 Boiling Water : 2.37L/Min
 Filtered Water : 2.71L/Min

At 3 Bar:
 Key: L = Litre, Min = Minute
 Cold Water : 8.77L/Min
 Hot Water : 8.81L/Min
 Mix Water : 11.40L/Min
 Boiling Water : 4.33L/Min
 Filtered Water : 4.95L/Min

DIMENSIONS

- + Height - 380mm
- + Spout to nozzle - 200mm
- + Base to nozzle - 244mm





DIGITAL Boiling Water Tank

TANK FEATURES

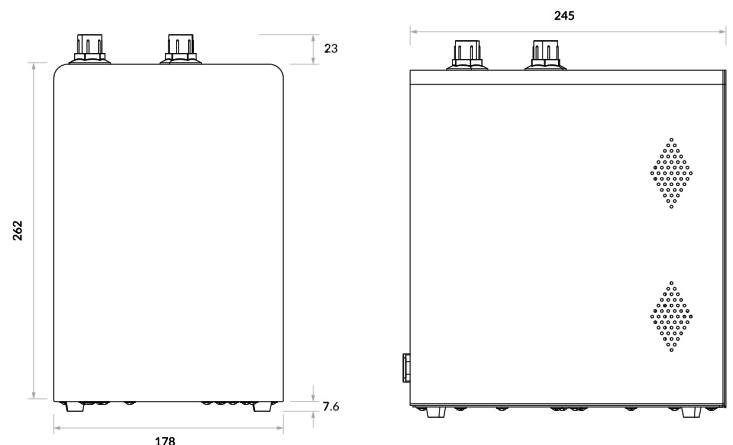
- + Easy to read, touch sensitive LED digital temperature display
- + Durable powder coated carbon steel case or PET aircraft grade polymer
- + Materials certified to world recognised food safety standards
- + Accurate Temperature Control +/- 1 degree
- + 14 temperature settings - 45,55,65,75,85,90-98 degrees
- + 2.4 litres stored water capacity
- + Safety shut off
- + Compatible with all water pressures
- + No External Venting/Draining Required
- + ROHS compliant
- + Includes manufacturers standard parts and components

TECHNICAL DATA

- + Min pressure: 1 Bar
- + Max pressure: 3 Bar*
- + Source - 230v - 50Hz
- + Power - 1500 watts
- + Plugs in to standard UK socket
- + *Note: the instant hot water tank may safely be run from a higher pressure cold water supply provided a suitable pressure reducing valve is fitted to the cold water supply pipe.

DIMENSIONS

- + Height - 262mm
- + Width - 178mm
- + Depth - 245mm



DELUXE Water Filter



FILTER FEATURES

- + Dual Filter – Filters for Taste and Scale protection
- + Filtration accuracy of 0.5µm
- + The technology used for scale reduction is Ion exchange. The limescale removal efficiency is around 98% as it destroys the construction to avoid Ca and Mg to form as CaCO₃ (Calcium Carbonate). The Ca and Mg are still left in the water as Ions and they are helpful with health.
- + Green and environment material: PH number is neutral, and the maximum dissolved is 1~3ppm/L, no poison and not harmful for humans.

DIMENSIONS

- + Height - 313mm
- + Width - 92mm
- + Depth - 98mm

